



**NeroValves GmbH**

Industrial Valves: DIN - API - ASME

## Nero double flanged Butterfly Valves Short Type

---

### Nero Double flanged Butterfly short Type

Double flanged, centric; short Type Butterfly, acc. to EN 558 / ISO 5752 Series 13/ DIN 3202 series 16



Application: On /off, regulating and control  
Size range: DN 50 to DN 1200,  
Rating: PN 6, 10, and 16 bars  
End connection: EN 1092 PN 6, PN 10 and PN 16  
Testing: according to DIN 3230, part 3, API 598  
Certification: EN 10204 3.1 and EN 10204 2.2

#### Available Material

Body: Cast iron, EN 1561 EN JL 1040, ASTM A126 class B, DIN 1691 GG 25  
Ductile iron, EN 1563 EN GJS 400-15, ASTM A395, DIN 1693 GGG 40  
Cast Steel ASTM A216 WCB

Disc: Cast iron, EN 1561 EN JL 1040, ASTM A126 class B, DIN 1691 GG 25  
Ductile iron, EN 1563 EN GJS 400-15, ASTM A395, DIN 1693 GGG 40  
Cast Steel ASTM A216 WCB  
Stainless Steel EN 1.4408, 1.4469, 1.4501; ASTM A351 CF8M, CF8  
Aluminium Bronze, EN / DIN JS 1030, EN 1563; ASTM B148, C95800

Seat: NBR, EPDM, VITON, Neoprene  
Bush: Bronze  
O-Rings: NBR, EPDM, VITON, Neoprene  
Shaft: Stainless steel  
Pin: Stainless steel  
Coating: Epoxy coated blue, minimal 250 µm

Actuating: Lever, handwheel and Gearbox, pneumatic actuator, electric actuator and hydraulic actuator

Subject to alternation

We reserve the right to make any technical modification. We are not responsible for any error in printing.

---

**Nero Valves GmbH**

Mörfelden – Walldorf / Germany

[www.nero-valves.com](http://www.nero-valves.com); [www.nero-valvesgmbh.de](http://www.nero-valvesgmbh.de); [info@nero-valvesgmbh.de](mailto:info@nero-valvesgmbh.de)



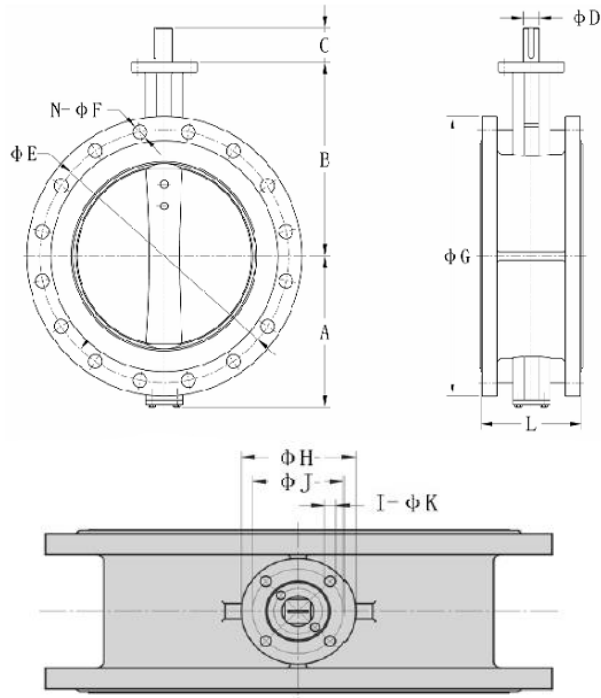
Member of  
German Water  
Partnership

Solutions you can trust.



**Nero double flanged Butterfly Valves Short Type**

Double flanged, centric; short Type Butterfly, acc. to EN 558 / ISO 5752 Series 13/ DIN 3202 series 16



**Dimension**

Size		A	B	C	D	E			N-F			G			H	J	I-K	L
mm	inch					ANSI 125/150	PN10	PN16	ANSI 125/150	PN10	PN16	ANSI 125/150	PN10	PN16				
50	2	70	130	32	12.7	120.7	125	125	4-19	4-18	4-18	152	165	165	90	70	4-9.5	108
65	2½	75	140	32	12.7	139.7	145	145	4-19	4-18	4-18	178	185	185	90	70	4-9.5	112
80	3	85	150	32	12.7	152.4	160	160	4-19	4-18	8-18	191	200	200	90	70	4-9.5	114
100	4	104	160	32	15.9	190.5	180	180	8-19	8-18	8-18	229	220	220	90	70	4-9.5	127
125	5	112	180	32	19.1	215.9	210	210	8-22	8-18	8-18	254	250	250	90	70	4-9.5	140
150	6	130	200	32	19.1	241.3	240	240	8-22	8-22	8-22	279	285	285	90	70	4-9.5	140
200	8	160	230	38	22.2	298.5	295	295	8-22	8-22	12-22	343	340	340	125	102	4-11.5	152
250	10	194	260	38	28.6	362	350	355	12-25	12-22	12-26	406	395	405	125	102	4-11.5	165
300	12	220	300	38	31.8	431.8	400	410	12-25	12-22	12-26	483	445	460	125	102	4-11.5	178
350	14	270	360	45	31.8	476.3	460	470	12-29	16-22	16-26	533	505	520	125	102	4-11.5	190
400	16	305	390	51	33.3	539.8	515	525	16-29	16-26	16-30	597	565	580	210	165	4-22	216
450	18	332	420	51	38.1	577.9	565	585	16-32	20-26	20-30	635	615	640	210	165	4-22	222
500	20	362	470	64	41.3	635	620	650	20-32	20-26	20-33	699	670	715	210	165	4-22	229
600	24	415	540	70	50.8	749.3	725	770	20-35	20-30	20-36	813	780	840	210	165	4-22	267
700	28	515	565	72	55	—	840	840	—	24-30	24-36	—	895	910	300	254	8-18	292
800	32	565	640	72	55	—	950	950	—	24-33	24-39	—	1025	1025	300	254	8-18	318
900	36	605	680	77	75	1085.9	1050	1050	32-41	28-33	28-39	1168	1115	1125	300	254	8-18	330
1000	40	685	760	85	85	—	1160	1170	—	28-36	28-42	—	1230	1255	300	254	8-18	410
1200	48	790	880	150	92	1422.4	1380	1390	44-41	32-39	32-48	1511	1455	1485	350	298	8-22	470

Other Dimension on request

Subject to alternation

We reserve the right to make any technical modification. We are not responsible for any error in printing.

**Nero Valves GmbH**

Mörfelden – Walldorf / Germany

[www.nero-valves.com](http://www.nero-valves.com); [www.nero-valvesgmbh.de](http://www.nero-valvesgmbh.de); [info@nero-valvesgmbh.de](mailto:info@nero-valvesgmbh.de)



Member of  
German Water  
Partnership

Solutions you can trust.