

Nero Flat Body Gate Valves

Face to Face: Series 14 according to EN 558-1 (F4) Short
Design and Standard: according to DIN 3352 / EN 1171
Pressure rating: PN 1 up to 10 bars
Size: 40 up to 1600 mm
Flanged drilling: according to EN 1092-2 / ISO 7005-02/ PN 10 and PN 16
Application: Water, drinking water, wastewater, Stem and Oiling water
Operating: Handwheel; Gearbox and Handwheel; electric and pneumatic actuating



Testing according to EN 12266/ DIN 3230

Test pressure and maximal working pressure

Nominal Size DN	Pressure rating PN bar	Flanges EN 1092-2 bar	Test pressure bar		Admissible pressure at Temperature	
			Body	Leakage	120°C	Max 200°C
40-150	16	16	15	11	16	16
200-300	10	10	9	6,6	10	6
350-500	6	10	6	4,4	6	3,2
600-700	4	10	3,75	2,75	4	2,5
800	2,5	10	2,4	1,76	2,5	1,6
900-1600	1,6	10	1,5	1,1	1,6	0,8

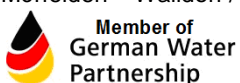
Subject to alternation

We reserve the right to make any technical modification. We are not responsible for any error in printing.

Nero Valves GmbH

Mörfelden – Walldorf / Germany

www.nero-valves.com; www.nero-valvesgmbh.de; info@nero-valvesgmbh.de



Solutions you can trust.

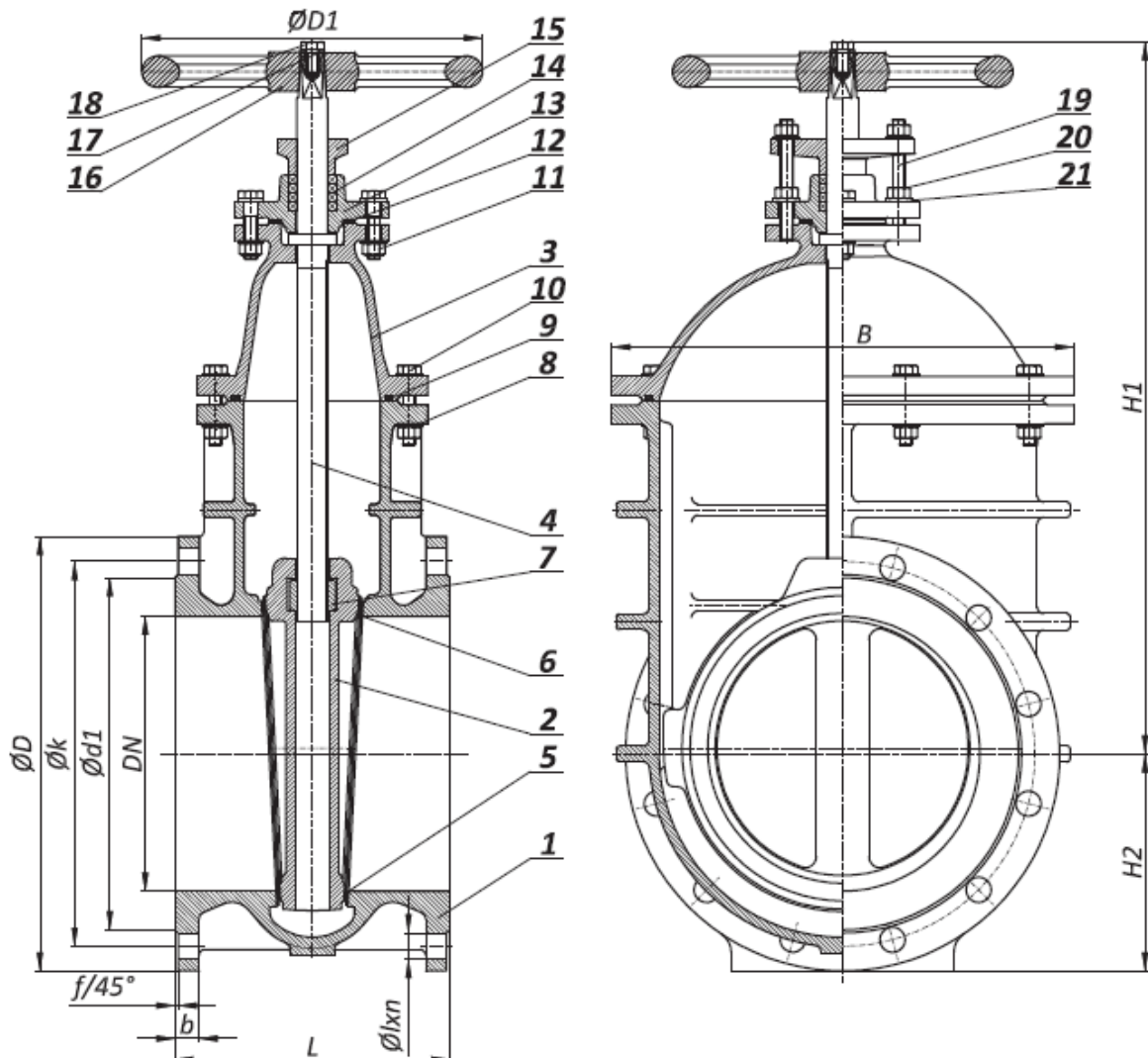
Flat Body Gate valves

Nero Flat Body Gate Valves

Material according to EN

1	EN –GJS-400-15	2	EN –GJS-400-15	3	EN –GJS-400-15
4	X20Cr13	5	CUSn6	6	CW452
7	CC493K(Rg7)	8	8.8 / A2/ A4	9	EPDM /NBR
10	8.8 / A2/ A4	11	8.8 / A2/ A4	12	Lt
13	EN –GJS-400-15	14	PTFE	15	EN –GJS-400-15
16	EN –GJS-400-15	17	8.8 / A2/ A4	18	8.8 / A2/ A4
19	8.8 / A2/ A4	20	8.8 / A2/ A4	21	8.8 / A2/ A4

Other material on request



Subject to alternation

We reserve the right to make any technical modification. We are not responsible for any error in printing.

Nero Valves GmbH

Mörfelden – Walldorf / Germany

www.nero-valves.com; www.nero-valvesgmbh.de; info@nero-valvesgmbh.de



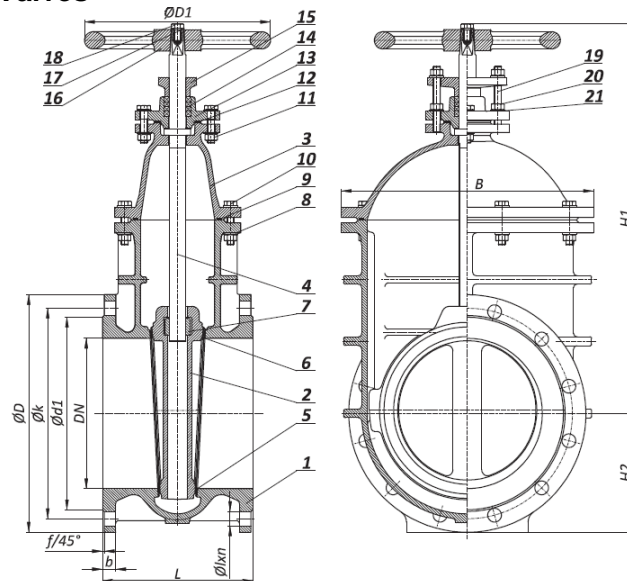
Member of
German Water
Partnership

Solutions you can trust.



Flat Body Gate valves

Nero Flat Body Gate Valves



Dimensions in mm

DN	L	D	k	d1	l	n	b	f	H1	H2	B	D1	d4	Turn/ lft	Kg
40	140	150	110	84	19	4	19	3	240	80	160	160	R1/2"	14	8
50	150	165	125	99	19	4	19	3	255	87,5	175	160	R1/2"	16	10
65	170	185	145	118	19	4/8	19	3	295	97,5	190	160	R1/2"	20	14
80	180	200	160	132	19	8	19	3	315	105	210	200	R1/2"	19	18
100	190	220	180	156	19	8	19	3	345	115	240	200	R1/2"	23	22
125	200	250	210	184	19	8	19	3	400	130	275	250	R1/2"	28	29
150	210	285	240	211	23	8	19	3	430	147,5	320	250	R1/2"	34	35
200	230	340	295	266	23	8	20	3	525	180	370	315	R1	44	62
250	250	395	350	319	23	12	22	3	625	207,5	440	315	R1	54	90
300	270	445	400	370	23	12	24,5	4	725	232	490	315	R1	64	117
350	290	505	460	429	23	16	24,5	4	830	262,5	550	360	R1	62	162
400	310	565	515	480	28	16	24,5	4	945	292,5	620	360	R1	71	211
450	330	615	565	530	28	16	25,5	4	1025	317,5	725	400	R1	79	290
500	350	670	620	582	28	20	26,5	4	1120	345	730	500	R1	74	340
600	390	780	725	682	31	20	30	5	1300	400	840	500	R1	90	500
700	430	895	840	794	31	24	32,5	5	1480	457,5	950	640	R1	106	720
800	470	1015	950	901	34	24	35	5	1710	517,5	1080	720	R1	105	1100
900	510	1115	1050	1001	34	28	37,5	5	1880	567,5	1190	800	R1	105	1300
1000	550	1230	1160	1112	37	28	40	5	2030	625	1300	800	R1	116	1500
1200	630	1455	1380	1328	41	32	45	5	2435	742,5	1680	800	R1	127	2900
1400	710	1675	1590	1530	44	36	46	5	2850	852,5	1960	1000	R1	149	4900
1600	790	1915	1820	1750	50	40	49	5	3000	972,5	2035	1000	R1	138	7200

Subject to alternation

We reserve the right to make any technical modification. We are not responsible for any error in printing.

Nero Valves GmbH

Mörfelden – Walldorf / Germany

www.nero-valves.com; www.nero-valvesgmbh.de; info@nero-valvesgmbh.de



Member of
German Water
Partnership

Solutions you can trust.