



Nero Raw and sewage water Air Valves Series: D-025



Application:

Sewage: domestic and municipal waste water
Industry: viscous, abrasive and dirty liquids
Raw- and surface water: dissolved, solid and floating materials
Potable water: water treatment, filtration, acidification, etc.
Brine: brine, salt and sea water with waste load
Irrigation: manure, biomass, surface water

Specification:

Pressure rating: PN 10 (operation pressure: 0,1 – 10 bar) * special seal kit for 0,05 – 6 bar
Size: male thread: 2", 3", 4" flanges: DN40, DN50, DN65, DN80, DN100
Accessories Storz-coupling as quick process connection non-slam adaptor (1.5") one-way-on or one-way-out adaptor (1.5") adjustable throttle for air flushed pipelines

Your advantages

Stainless Steel: body made of Nylon or stainless steel

Lightweight: from up 5 kg total weight

Compact: from up 455 mm total height

Combination venting: big orifice: 804 mm², small orifice 12 mm²

Subject to alternation

We reserve the right to make any technical modification. We are not responsible for any error in printing.

Nero Valves GmbH

Mörfelden – Walldorf / Germany

www.nero-valves.com; www.nero-valvesgmbh.de; info@nero-valvesgmbh.de



Member of
German Water
Partnership

Solutions you can trust.



Nero Raw and Sewage Water Air Valves

Quick installation: by Storz-coupling as plant connection

Dual benefit: Storz-coupling can be used for line-flushing

Resilient: free swinging, rotating, sprung float

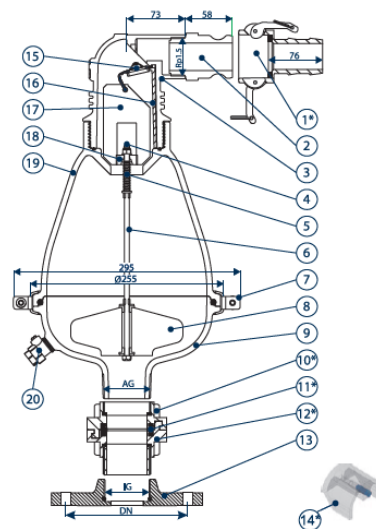
Easy cleaning: operation insert can be replaced

Explosions proof: ATEX-version available*

Economic: compact manhole version

Nero Raw and sewage water Air Valves

Series: D-025



Part List

Pos.	Description	Standard	Alternatives*
1.	38 mm hose coupling	PPGF	Stainless steel
2.	vent connect (1½")	PAGF	Stainless steel
3.	body upper section	PAGF	Stainless steel, Duplex
4.	nut	Stainless steel	Duplex
5.	spring	Stainless steel	Inconel
6.	float stem	Stainless steel	Duplex
7.	clamp	PAGF	Stainless steel
8.	float	PPGF	-
9.	body lower section	PAGF	Stainless steel, Duplex, GGG+EKB
10.	STORZ, lockable	Aluminium	Stainless steel
11.	pressure/vacuum seal	EPDM	VITON
12.	STORZ	Aluminium	Stainless steel
13.	flange	PAGF	Stainless steel, Aluminium, GGG
14.	adjustable throttle	POM, Stainless	-

Subject to alternation

We reserve the right to make any technical modification. We are not responsible for any error in printing.

Nero Valves GmbH

Mörfelden – Walldorf / Germany

www.nero-valves.com; www.nero-valvesgmbh.de; info@nero-valvesgmbh.de



Member of
German Water
Partnership

Solutions you can trust.



Nero Raw and Sewage Water Air Valves

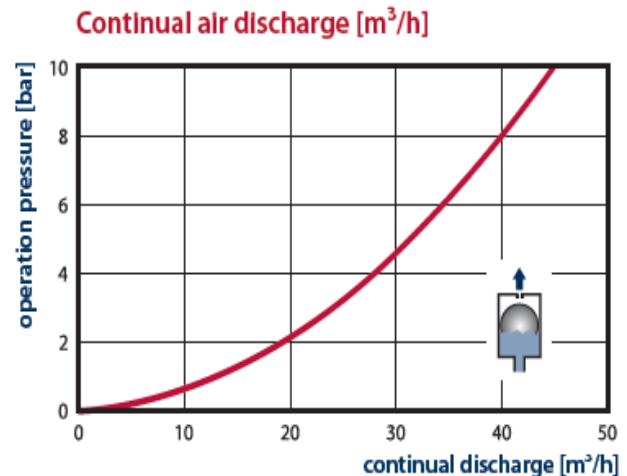
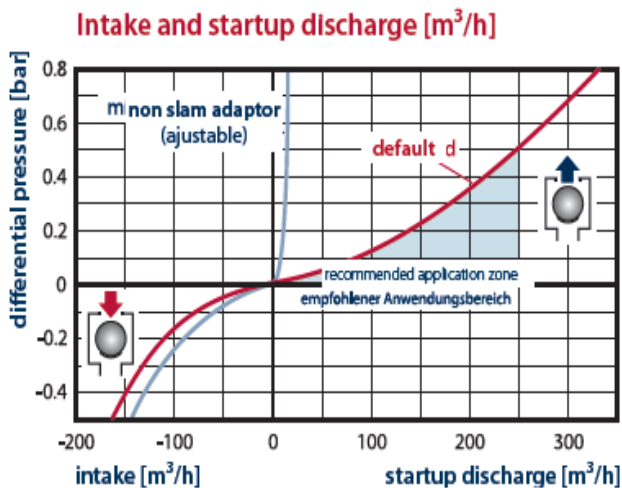
		steel	
15.	seal system	PA, EPDM, Stainless steel	PVDF+ Viton
16.	fixation	PAGF	PVDF
17.	guider	PPGF	ASA
18.	stopper	Acetal	-
19.	body middle section	PAGF	Stainless steel Duplex, GGG+EKB
20.	drain valve	Stainless steel	-
all O-rings made of	NBR	Viton, EPDM	

Weight:

Size	PAGF	Stainless steel duplex
2" male	4,9 kg	12 kg
DN50 flange	5,3 kg	15 kg
3" male	5,5 kg	
DN80 flange	6,0 kg	17 kg
4" male	5,8 kg	
DN100 flange	6,9 kg	19 kg

Height:

process plant connection (size/type)	total height
male thread	455 mm
flange	+5 mm
male thread + Storz coupling	+25 mm
male thread + 2x Storz + flange	+80 mm



©AIRVALVE Flow Control GmbH
Subject to technical changes | 4.2018
* Accessories / Option upon request (surcharge)

Subject to alternation

We reserve the right to make any technical modification. We are not responsible for any error in printing.

Nero Valves GmbH

Mörfelden – Walldorf / Germany

www.nero-valves.com; www.nero-valvesgmbh.de; info@nero-valvesgmbh.de



Member of
German Water
Partnership

Solutions you can trust.



Nero Raw and sewage water Air Valves Series - D-025-L



Application:

Sewage: domestic and municipal waste water
Industry: viscous, abrasive and dirty liquids
Raw- and surface water: dissolved, solid and floating materials
Potable water: water treatment, filtration, acidification, etc.
Brine: brine, salt and sea water with waste load
Irrigation: manure, biomass, surface water

Specification:

Pressure rating PN 16 (operation pressure: 0,2 – 16 bar) *special seal kit for 0,05 – 6 bar
Size: male thread: 2", 3" flanges: DN40, DN50, DN65, DN80, DN100
Accessories* Storz-coupling as quick process connection non-slam adaptor (1.5") one-way-on or one-way-out adaptor (1.5") adjustable throttle for air flushed pipelines

Subject to alternation

We reserve the right to make any technical modification. We are not responsible for any error in printing.

Nero Valves GmbH

Mörfelden – Walldorf / Germany

www.nero-valves.com; www.nero-valvesgmbh.de; info@nero-valvesgmbh.de



Member of
German Water
Partnership

Solutions you can trust.

Nero Raw and Sewage Water Air Valves

Your advantages

Stainless steel

body made of Nylon or stainless steel

Lightweight: from up 7 kg total weight

Compact: from up 566 mm total height

Combination venting: big orifice: 804 mm², small orifice 12 mm²

Quick installation: by Storz-coupling as plant connection

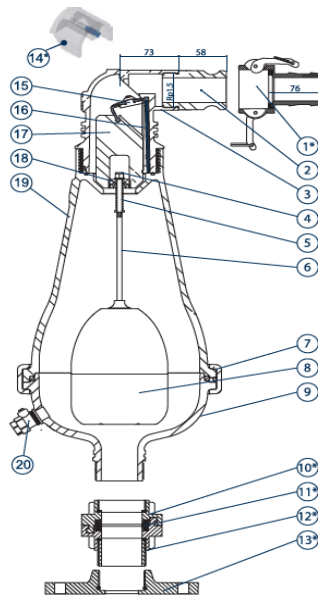
Dual benefit: Storz-coupling can be used for line-flushing

Resilient: free swinging, rotating, sprung float

Easy cleaning: operation insert can be replaced

Explosions proof: ATEX-version available*

Economic: compact manhole version



Part List

Pos.	Description	Standard	Alternatives*
1.	38 mm hose coupling	PPGF	Stainless steel
2.	vent connect (1½")	PAGF	Stainless steel
3.	body upper section	PAGF	Stainless steel Duplex
4.	nut	Stainless steel	Duplex
5.	spring	StSt	Inconel
6.	float stem	Stainless steel	Duplex
7.	clamp	PAGF	Stainless steel

Subject to alternation

We reserve the right to make any technical modification. We are not responsible for any error in printing.

Nero Valves GmbH

Mörfelden – Walldorf / Germany

www.nero-valves.com; www.nero-valvesgmbh.de; info@nero-valvesgmbh.de



Member of
German Water
Partnership

Solutions you can trust.



Nero Raw and Sewage Water Air Valves

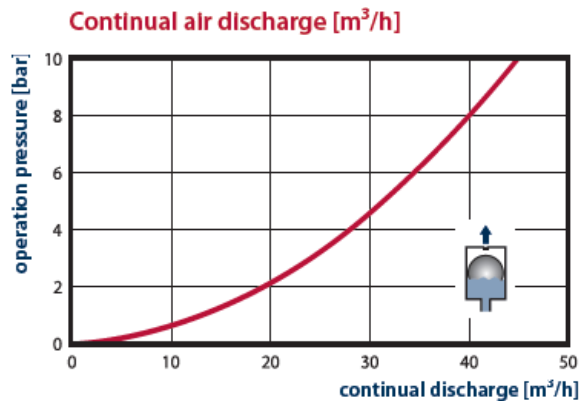
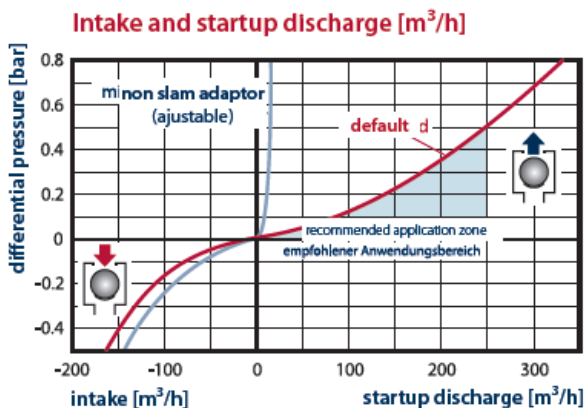
8.	float	PPGF	-
9.	body lower section	PAGF	Stainless steel Duplex, GGG+EKB
10.	STORZ, lockable	Aluminium	Stainless steel
11.	pressure/vacuum seal	EPDM	VITON
12.	STORZ	Aluminium	Stainless steel
13.	flange	PAGF	Stainless steel t, Aluminium, GGG
14.	adjustable throttle	POM, Stainless steel	-
15.	seal system	PA, EPDM, Stainless steel	PVDF+ Viton
16.	fixation	PAGF	PVDF
17.	guider	PPGF	ASA
18.	stopper	Acetal	-
19.	body middle section	PAGF	Stainless steel St, Duplex, GGG+EKB
20.	drain valve	Stainless steel	-
all O-rings made of	NBR	Viton, EPDM	

Weight:

Size	PAGF	Stainless steel St, Duplex
2" male	7 kg	13 kg
DN50 flange	8 kg	16 kg
3" male	7 kg	13 kg
DN80 flange	8 kg	17 kg
DN100 flange	8 kg	18 kg

Height:

process plant connection (size/type)	total height
male thread	560 mm
flange	+5 mm
male thread + Storz coupling	+25 mm
male thread + 2x Storz + flange	+80 mm



©AIRVALVE Flow Control GmbH
Subject to technical changes | 4.2018
* Accessories / Option upon request (surcharge)

Subject to alternation

We reserve the right to make any technical modification. We are not responsible for any error in printing.

Nero Valves GmbH

Mörfelden – Walldorf / Germany

www.nero-valves.com; www.nero-valvesgmbh.de; info@nero-valvesgmbh.de



Member of
German Water
Partnership

Solutions you can trust.